

# IS TOY 165

Technical Sheet

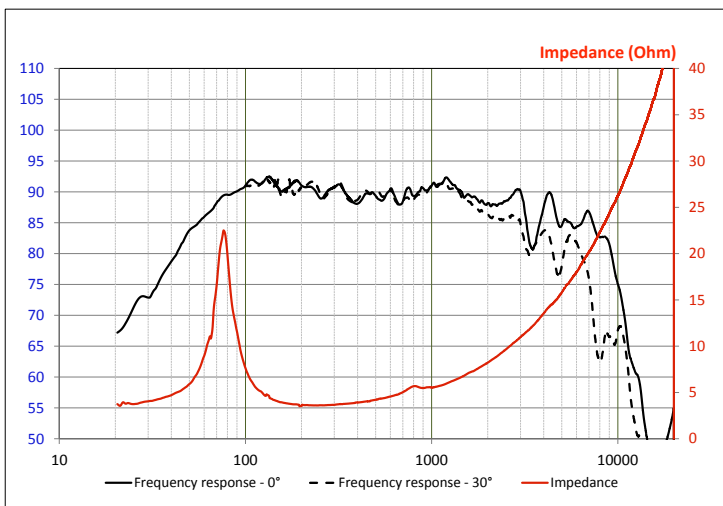
## Woofer



## SPECIFICATIONS

Nominal power	60 W
Maximum power	120 W
Sensitivity	91.7dB
Nom. impedance	4 Ω
Cone	Black Polyglass
Surround	Butyl
DC resistance	3.3 Ω
VC diameter	25 mm
Former	Kapton 1"
Layers	2
Wire	Copper
Magnet d x h	85x15mm 3 <sup>3</sup> / <sub>8</sub> x 5 <sup>1</sup> / <sub>16</sub> "
Net weight	950g 2.1lbs

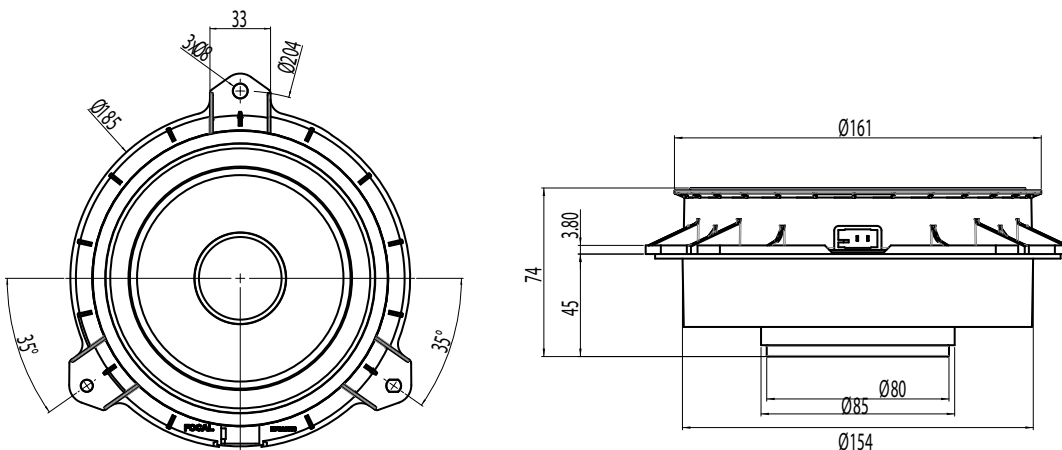
## FREQUENCY RESPONSE/IMPEDANCE



## PARAMETERS

Rdc	3.3 Ω
Fs	75 Hz
Mms	13.7 g
Cms	0.31 mm/N
Vas	8.2L
Qts	0,84
Qes	0,986
Qms	5,87
Bxl	4.73 N/A
Sd	136.85 cm <sup>2</sup>
SPL	87.9dB
Xmax	3mm

## MECHANICAL DRAWING



**FOCAL® INSIDE**

Focal® is a trademark of Focal-JMLab® - [www.focal.com](http://www.focal.com) - SCAA190919/1

**FOCAL®**  
LISTEN BEYOND