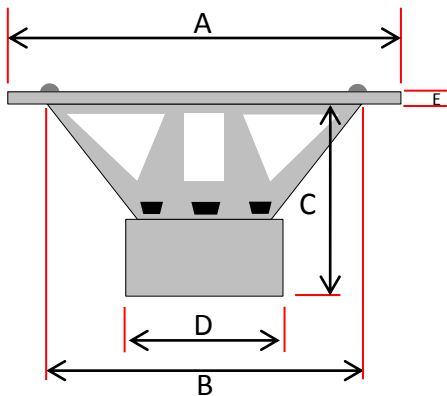




TECHNICAL SPECIFICATIONS

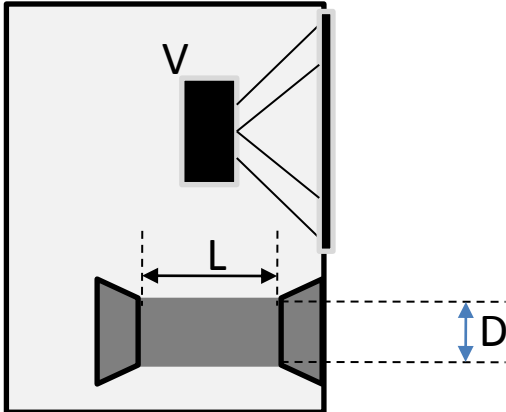
Product name	GZRW 10D4	Gasket	Rubber
Product type	Subwoofer chassis	Terminal	Chrome push terminal
H.Art .nr.	125014	Power handling	600 WRMS
Diameter	276 mm / 10.87"	Impedance	2 x 4 Ohm
Mounting diameter	233 mm / 9.17"	Re	6.3 Ohm
Mounting depth	148 mm / 5.83"	Res	48.3 Ohm
Magnet dimension	2 x 140 x 20 mm	FS	34.6 Hz
Total weight	5,9 KG	Qms	6.21
Voice coil diameter	63 mm / 2.5 " Round Wire	Qes	0.70
Voice coil winding height	25 mm / 0.98"	Qts	0.63
Voice coil wire material	Copper	Rms	5.4 kg/s
Voice coil former material	Aluminum	Cms	0.14 mm/N
Top plate height	10 mm / 0.3937"	Mms	154.3 gr
Linear excursion (one direction)	7,5 mm / 0.295"	BL	17.4 N/A
Effective Xmax	25 mm / 0.98"	SPL	83.1 dB
Top Plate and T-Yoke color	Black	VAS	22.5 L / 0.79 cu.ft
Basket material	Steel	Le	3.09 mH
Basket color	Black structure	Recommended freq. response	35 – 100 Hz
Spider	Polycot	Recommended amplifier power	400 – 800 WRMS @ 4 Ohm (1 Ohm)
Surround	U Shape foam	Sound Quality	☺☺ (max. ☺☺☺☺☺☺)
Cone	Reinforced paper	SPL Competition	☺☺ (max. ☺☺☺☺☺☺)
Dustcap	Convex IMPP with 3D Logo	Low bass performance 20-50Hz	☺☺☺ (max. ☺☺☺☺☺☺)
Magnetcover	Rubberboot	Mid bass performance 50-80Hz	☺☺☺ (max. ☺☺☺☺☺☺)



A	276 mm / 10.87"
B	233 mm / 9.17"
C	148 mm / 5.83"
D	150 mm / 5.9"
E	17 mm / 0.67"



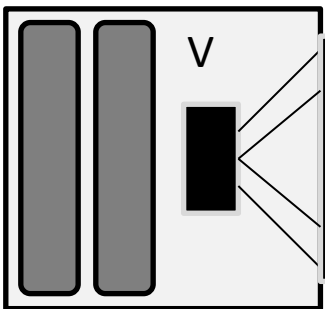
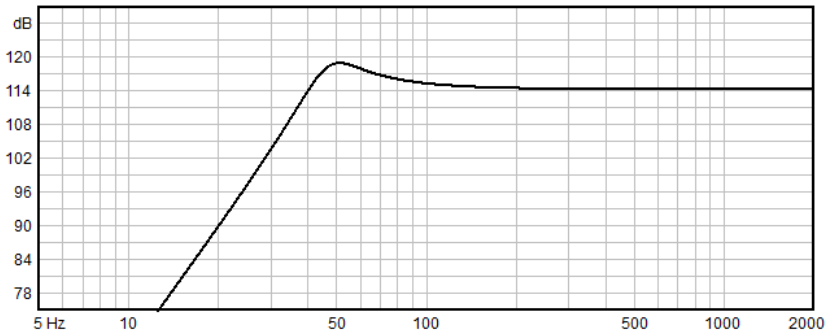
BOX RECOMMENDATION



Medium size vented box

V: 40 L / 1.57 cu.ft
 D: 100 mm / 4"
 L: 240 mm / 9.5"
 Tuning: 45 Hz
 F3: 37 Hz

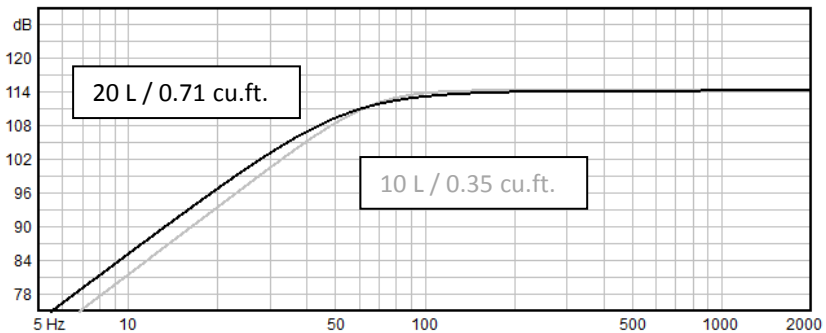
No damping



Small size sealed box

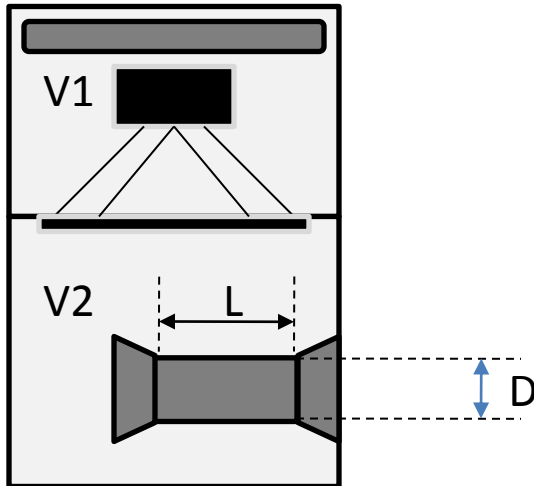
V: 10 – 20L / 0.35 – 0.71 cu.ft
 Qtc: 0.745 – 0.612
 F3: 58 Hz

40 - 60% Polyester wool



Die hier aufgeführten Gehäusevorschläge sind nur einige, der möglichen Varianten.
 Bitte beachten Sie zudem, dass die finale Abstimmung, speziell die Port Längen je nach Fahrzeug und eigenem Geschmack variiert werden sollte.
*Above-mentioned enclosure recommendations are just a few possible variations.
 Please note that you should find the perfect tuning, especially port length, based on your car and own taste.*



BOX RECOMMENDATION

Medium size bandpassbox

V1: 10 L / 0.35 cu.ft

V2: 20 L / 0.71 cu.ft

D: 100 mm / 4"

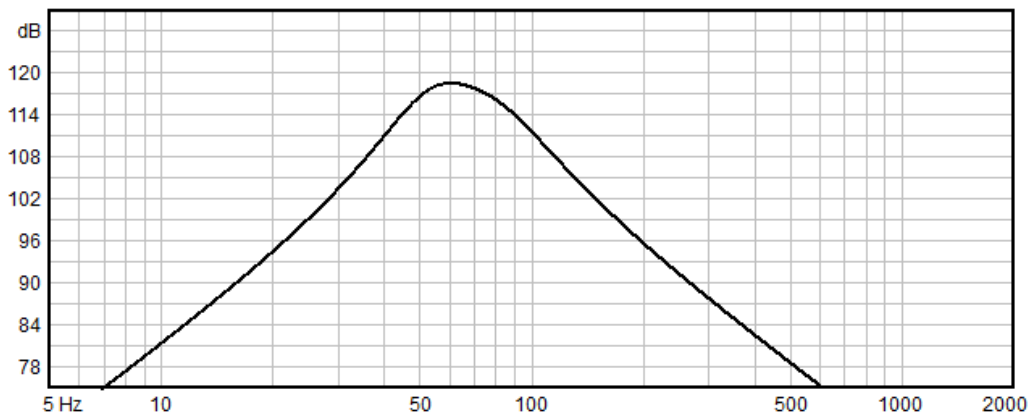
L: 248 mm / 9.76"

Center Freq.: 63 Hz

Bandwidth (-3dB): 40 – 100 Hz

20% polyester wool in V1

No damping in V2



Die hier aufgeführten Gehäusevorschläge sind nur einige, der möglichen Varianten.

Bitte beachten Sie zudem, dass die finale Abstimmung, speziell die Port Längen je nach Fahrzeug und eigenem Geschmack variiert werden sollte.

Above-mentioned enclosure recommendations are just a few possible variations.

Please note that you should find the perfect tuning, especially port length, based on your car and own taste.

