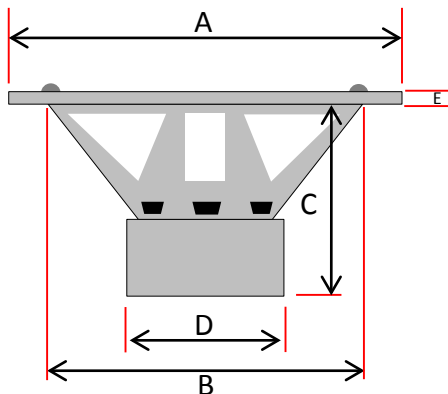




TECHNICAL SPECIFICATIONS

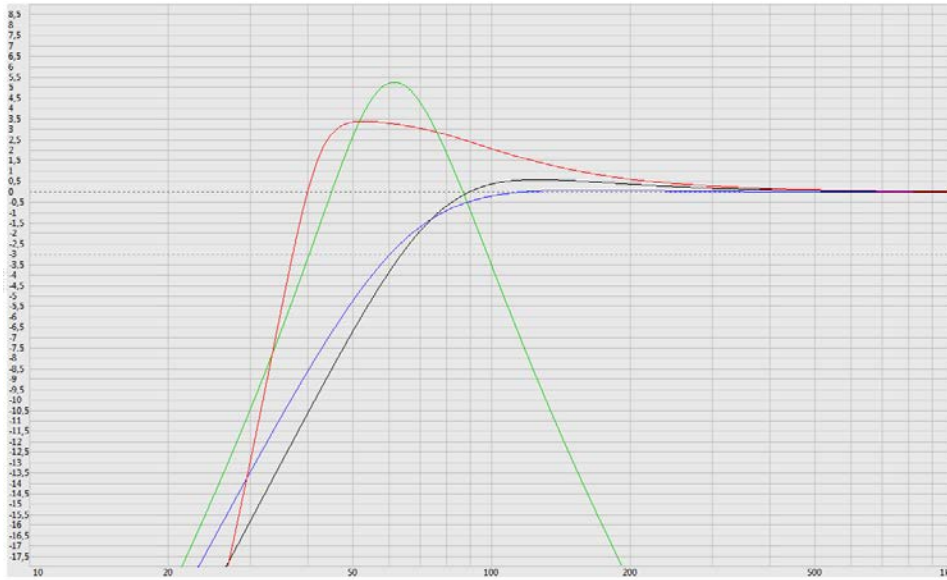
Product name	GZUW 8SQX	Gasket material	PVC
Product type	Subwoofer chassis	Terminal type	Black-chromed push terminal
Outer diameter	211 mm / 8.31" 216 mm / 8.50" (incl. gasket)	Power handling	300 WRMS
Mounting diameter	183 mm / 7.21"	Impedance	2x 2 ohms
Mounting depth	109 mm / 4.29"	Re	4 ohms
Magnet dimension	127 x 60 x 24 mm	Res	37.6 ohms
Total weight	4,1 kg	FS	56.4 Hz
Voice coil diameter	50 mm / 2"	Qms	11.17
Voice coil winding height	23 mm / 0.91"	Qes	0.72
Voice coil wire material	Copper	Qts	0.68
Voice coil former material	Kapton	Rms	2.4 kg/s
Top plate height	8 mm / 0.315"	Cms	0.10 mm/N
Linear excursion (one direction)	8,5 mm / 0.31"	Mms	76.4 gr
Effective Xmax	20 mm / 0.79"	BL	12.3 N/A
Top Plate and T-Yoke color	Black	SPL	83.5 dB
Basket material	Aluminum cast	VAS	5.9 L / 0.21 cu.ft
Basket color	Black powder coating	Le	2.09 mH
Spider material	POLYCOT	Recommended frequency response	35 – 90 Hz
Surround type	High-roll foam	Recommended amplifier power	200 – 400 WRMS (@ 4 /1 Ohm)
Cone	Reinforced paper	Sound Quality	☺☺☺☺ (max. ☺☺☺☺☺☺)
Dustcap	IMPP Konvex	SPL Competition	☺ (max. ☺☺☺☺☺☺)
Magnetcover	Rubber		



A	211mm / 8.31" 216 mm / 8.50" (incl. gasket)
B	183mm / 7.21"
C	109 mm / 4.29"
D	161 mm / 6.34"
E	15mm / 0.59"



BOX RECOMMENDATION



Curve	Type	Volume	F3/ Qtc
red	Vented enclosure	18 L / 0.64 cu.ft	37 Hz
blue	Sealed enclosure	8 L / 0.28 cu.ft	64 Hz / 0.88
black	Sealed enclosure	20 L / 0.71 cu.ft	60 Hz / 0.78
green	Bandpass 4th order	V1: 21 L / 0.74 cu.ft (sealed) V2: 13 L / 0.46 cu.ft	Center freq. 62 Hz

Die hier aufgeführten Gehäusevorschläge sind nur einige, der möglichen Varianten.
Bitte beachten Sie zudem, dass die finale Abstimmung, speziell die Port Längen je nach Fahrzeug und eigenem Geschmack variiert werden sollte.
*Above-mentioned enclosure recommendations are just a few possible variations.
Please note that you should find the perfect tuning, especially port length, based on your car and own taste.*

POWER HANDLING

